

Technical Specification

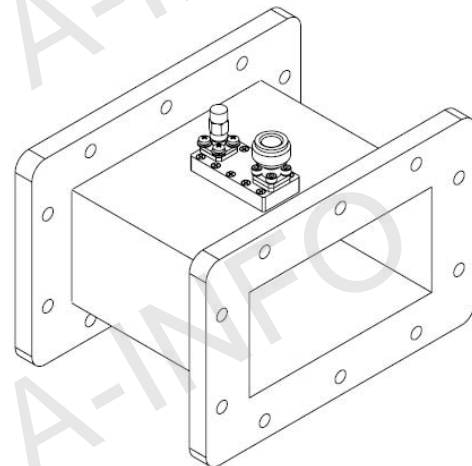
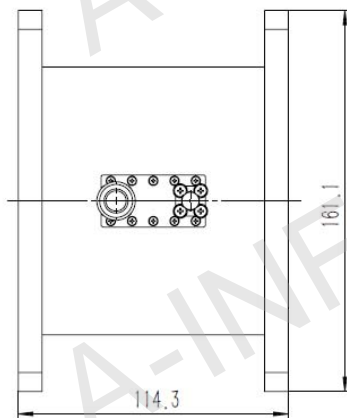
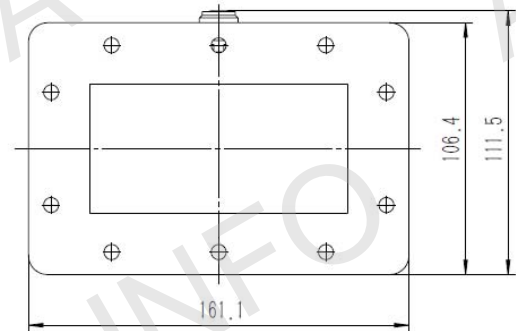
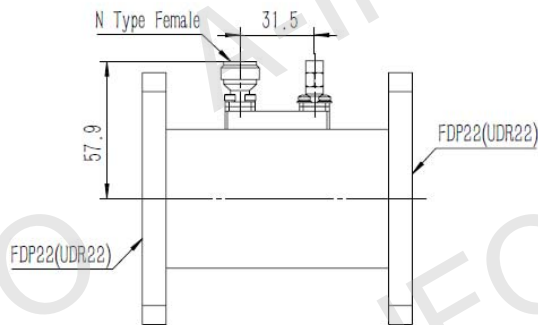


EIA WR	WR430
Frequency Range(GHz)	1.70-2.60
Coupling(dB)	60 Typ.
Directivity(dB)	15 Typ.
Insertion Loss(dB)	0.1 Max. (Not including the theoretical loss 4.34×10^{-6} dB)
Mainline VSWR	1.10:1 Max.
Secondline VSWR	1.35:1 Max.
Flange	FDP22(UDR22)
Coupling Port	N-Female/N-Male
Material	Al
Size(mm)	114.3 x 161.1 x 111.5
Net Weight(Kg)	0.80 Around

Outline Drawing (Size: mm)

Coupling Port: N-Female

For N-Male connector Coupling Port outline drawing, please contact A-INFO.



AINFO Inc.

Page 1 of 5

China(Beijing):
 China(Chengdu):
 USA :

Tel: (+86) 10-6266-7326,
 Tel: (+86) 28-8519-2786,
 Tel: (+1) 949-639-9688,

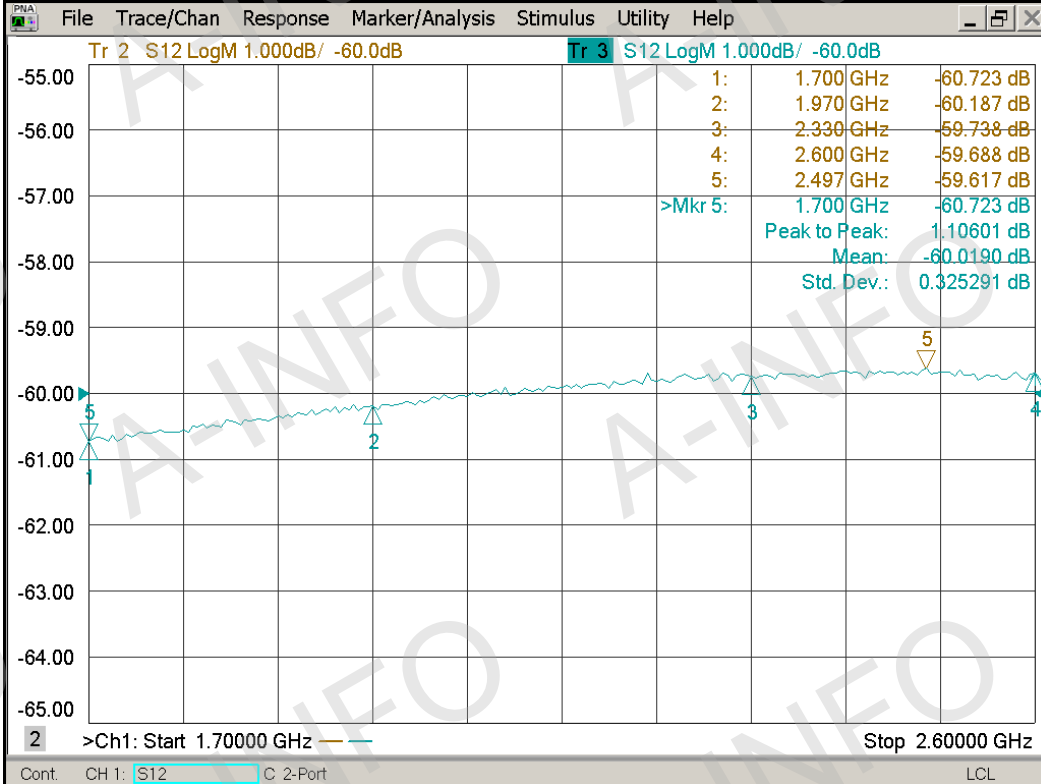
(+86) 10-6266-7327
 (+86) 28-8519-3044
 (+1) 949-639-9608

Fax: (+86) 10-6266-7379
 Fax: (+86) 28-8519-3068
 Fax: (+1) 949-639-9670

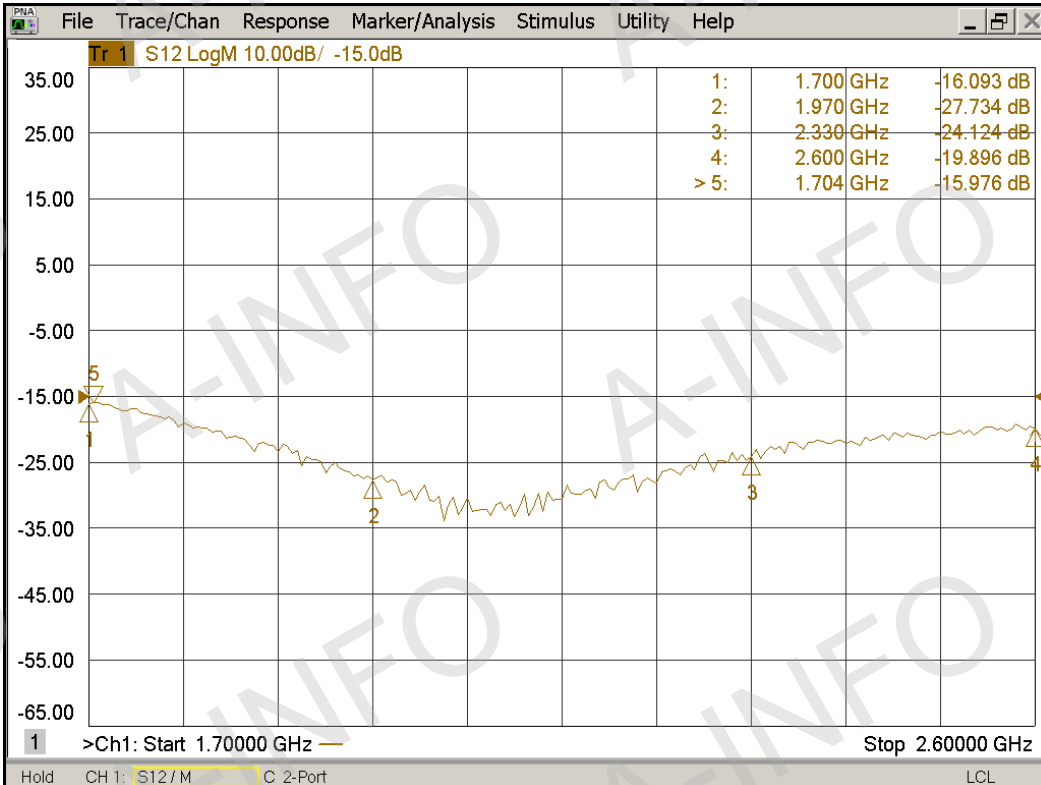
Website: www.ainfoinc.com
 Email: sales@ainfoinc.com

Test Results

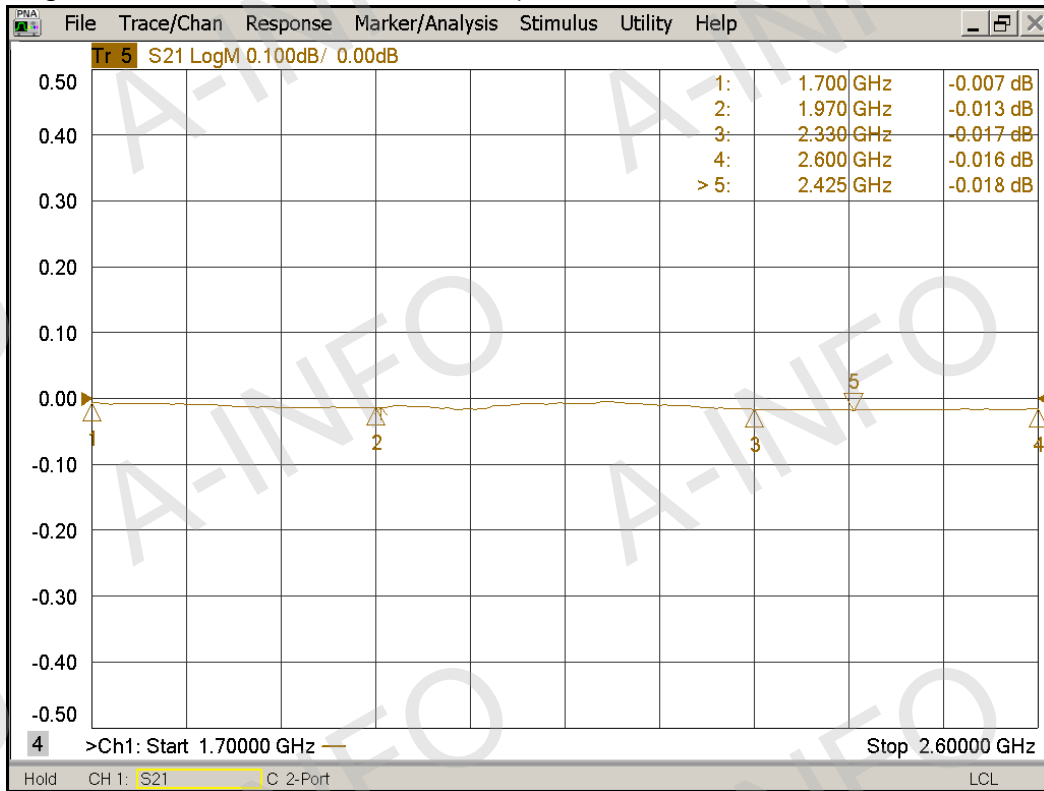
Coupling



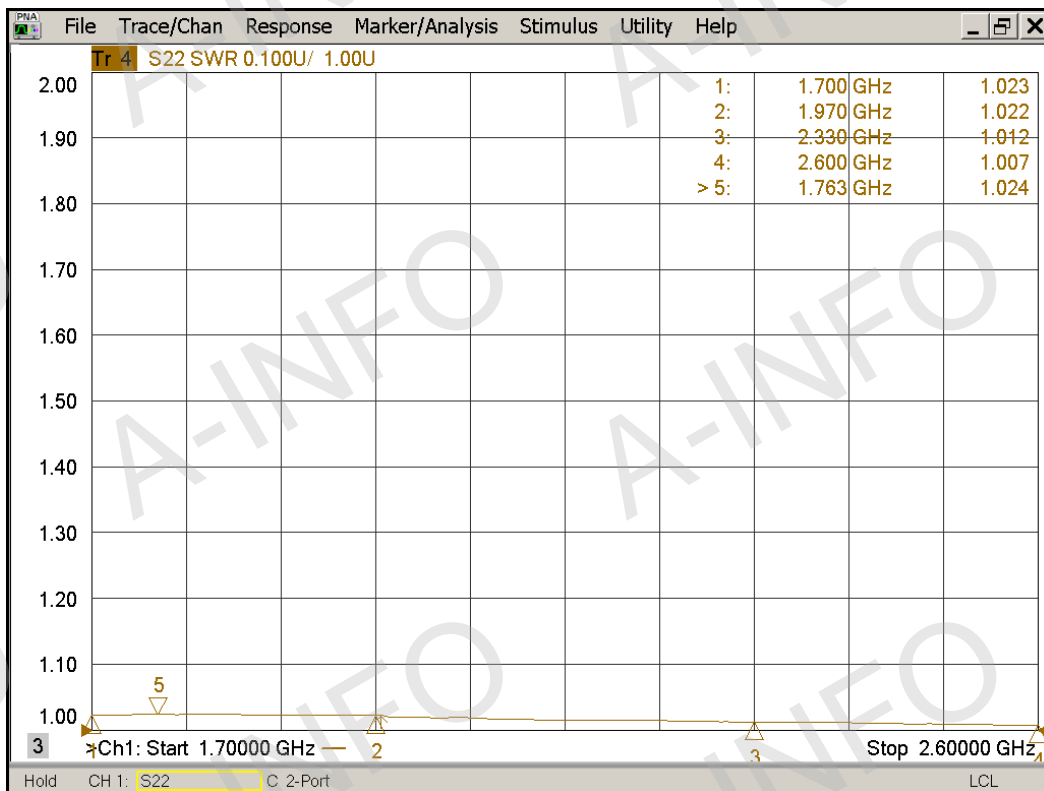
Directivity



I.L. (including the theoretical loss 4.34×10^{-6} dB)



Mainline VSWR



Secondline VSWR

